

ARTA TECH TRADE



COMPANY PROFILE



Artatech Trade Co.

Artatech Trade Co. is founded on the backbone of over 20 years' experience, based on the world-class engineering knowledge and technology. As a leading company, Artatech provides a wide range of engineering, procurement and construction services for various sectors of industries such as oil, gas, chemical, petrochemical, refining and power plants.

The Solutions presented by Artatech consist of and not limited to the engineering and procurement of valves, pumps, compressors, instruments, chemicals and petrochemicals production machineries, packing units, rotary equipment, etc.

ARTA TECH TRADE



AGENCIES

Since company's establishment, Artatech has completed many projects successfully with reputable companies. Our Company has been selected as the exclusive agent of many well-known manufacturers. So far we are not limited to, and able to supply from various brands, worldwide.



ARTA TECH SERVICES



VALVE

Types: Butterfly, Ball, Gate, Globe, Check, Diaphragm, Knife Gate Valve, Pressure Relief/Safety Valve, On/Off Valve, Control Valve,...

Types of Actuator: Electric, Pneumatic, Hydraulic

Material: Stainless Steel, Carbon Steel, Alloy Steel, Cast Iron, Thermoplastic (PP, PVC, PVDF,...)

Standard: ASME B 16.34, API 6D, API 6A, API 600, API 602, API 609, API 594,...



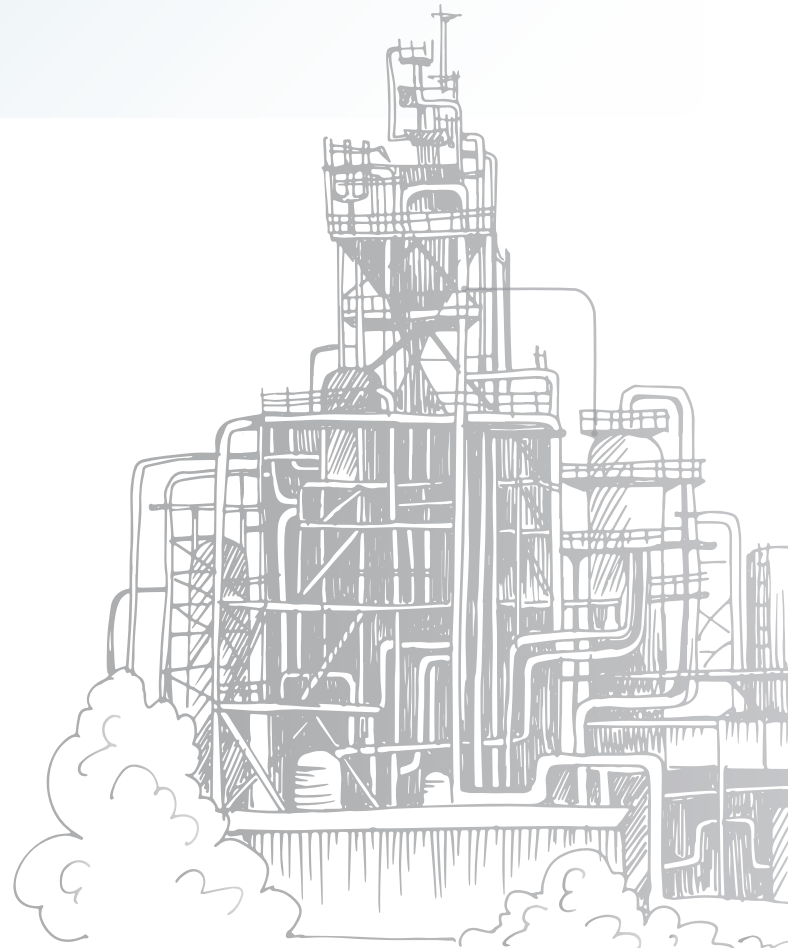
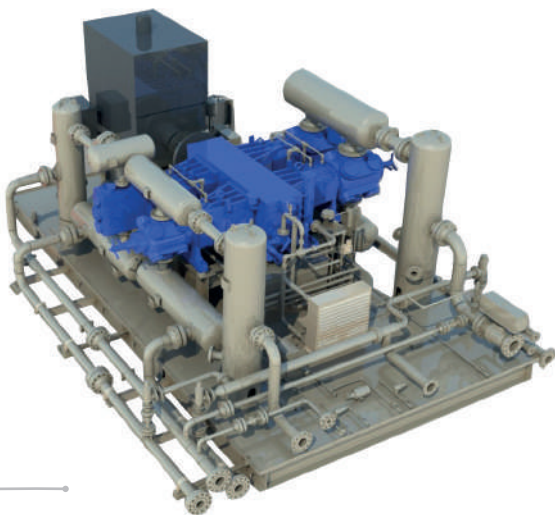
COMPRESSORS

Types: Rotary Screw, Reciprocating, Axial, Vane, Centrifugal, Piston,...

Material: Cast iron, PTFE, Nodular iron, Stainless steel,...

Standards: API 617, API 618, API 619,...

Certification: ATEX Compliance





It's a new day...



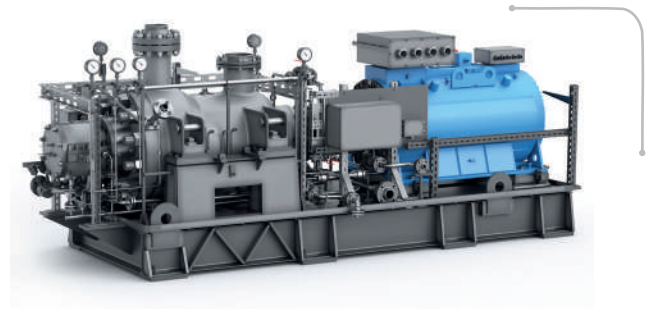
PUMP

Types: Centrifugal (Horizontal & Vertical), Canned Motor Pump, Gear Pump, Screw Pump, Metering Pumps, Vacuum Pumps,...

Material: Stainless Steel, Cast iron, Nickel and Nickel alloys, Titanium and Titanium alloys, PTFE, PVDF,...

Standard: API 610, API 674, API 676, API 685, ISO Standards,...

Certification: ATEX Compliance



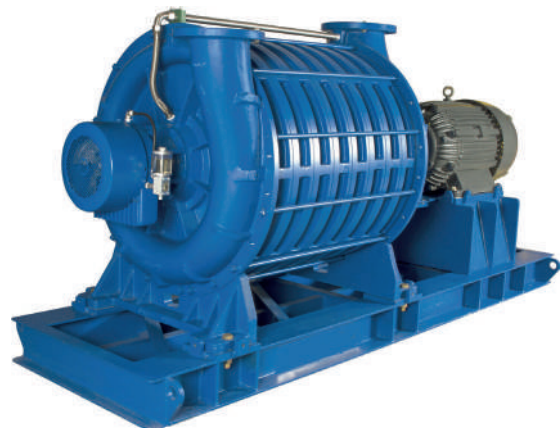
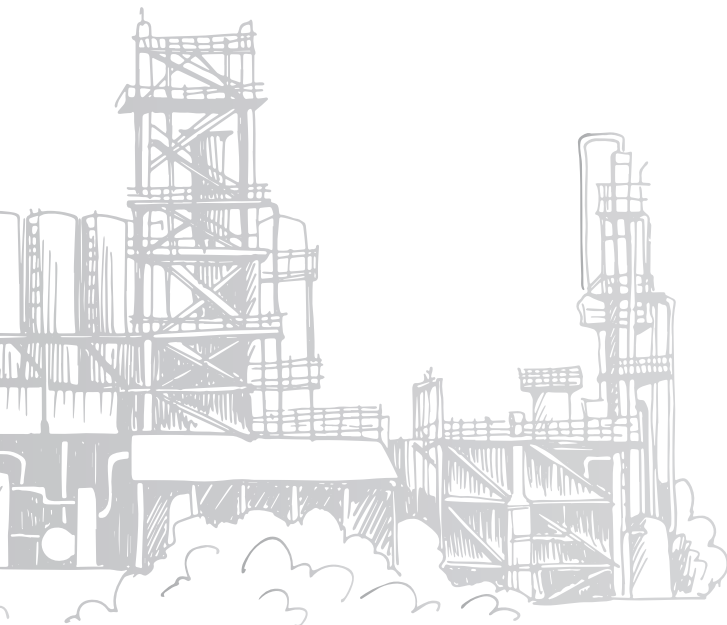
BLOWER

Types: Positive displacement, Screw Centrifugal,...

Material: Carbon Steel, Stainless Steel, Titanium, Nickel alloy,...

Standards: API 673,...

Certification: ATEX Compliance



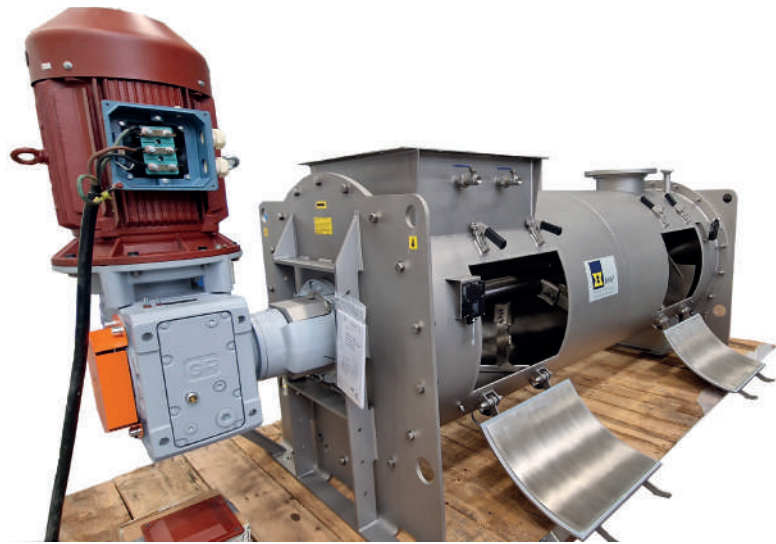


MIXER

Types: Horizontal Single Shaft Mixer, Continuous Twin Shaft Paddle Mixer, Ribbon Blenders...

Material: Stainless Steel, Aluminum, Cast iron, Steel, Titanium...

Certification: ATEX (Gas /Dust) Compliance

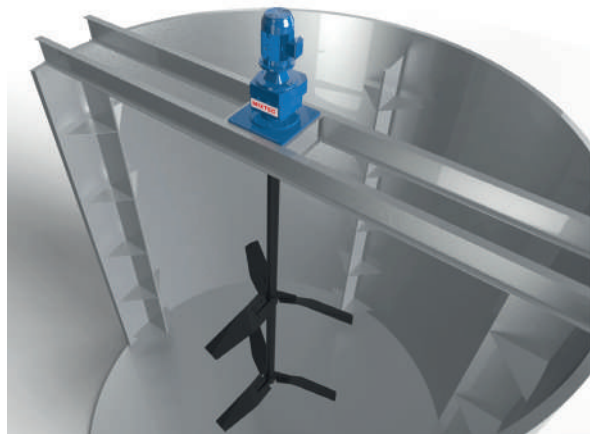


AGITATOR

Types: Top entry, Bottom entry, Side entry, Static Mixer

Materials: Stainless Steel, carbon steel, coated steel, Alloy,...

Certification: ATEX Compliance





ARTA TECH TRADE

Our Mission

With our services lineup ranging from Engineering, Procurement and delivering, we are truly a full-cycle operator. However, that would all be impossible without a vast team of Professionals. Our customers appreciate the professional approach since the first contact. We anticipate their needs and propose technical solutions to meet the right expectations.

Why Artatech?

Reliability

Quality Work

Fair Price

Customer Satisfaction

Hardworking

Professionalism

Team Work

Responsive and Respectful

Passion

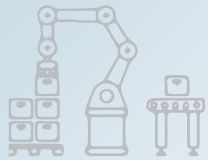
Unrivalled Workmanship





DRUM FLAKER

Types: Dip feed, Top feed,...



PACKAGING & PALLETIZING SYSTEMS

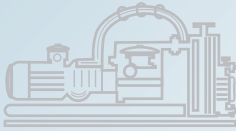
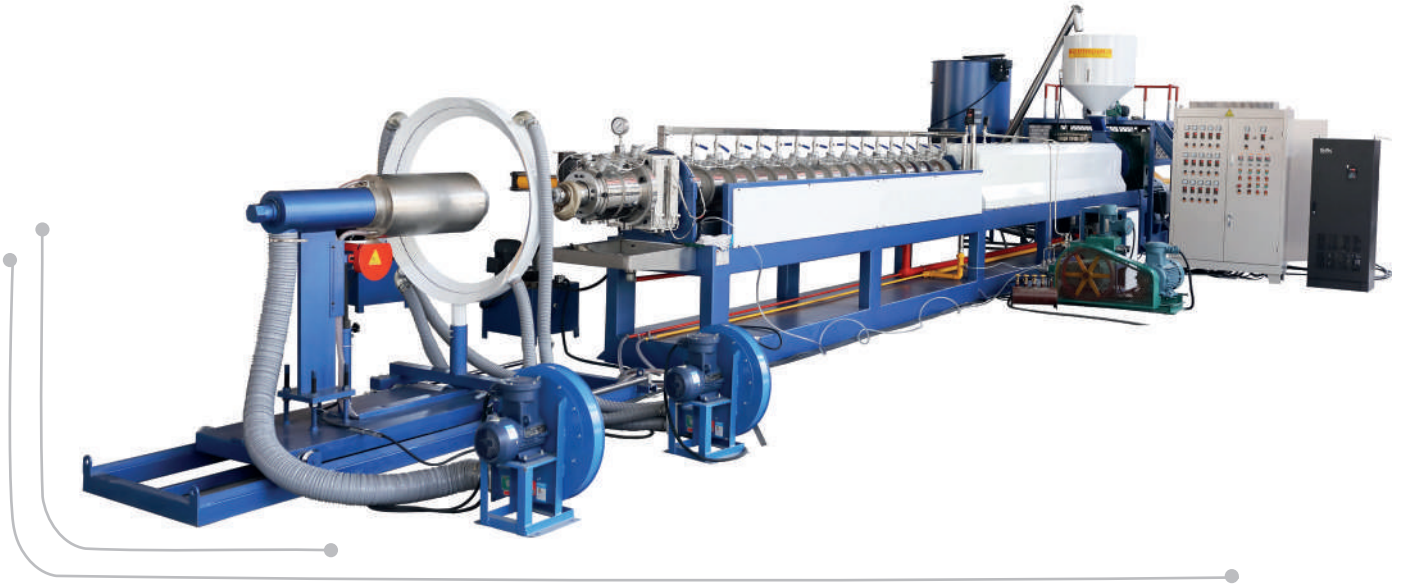
Types: Bagging Machines, Weighting Systems, Palletizing Systems, Wrapping systems, Filling Equipment for Big bag, Drum Filling Machine,...



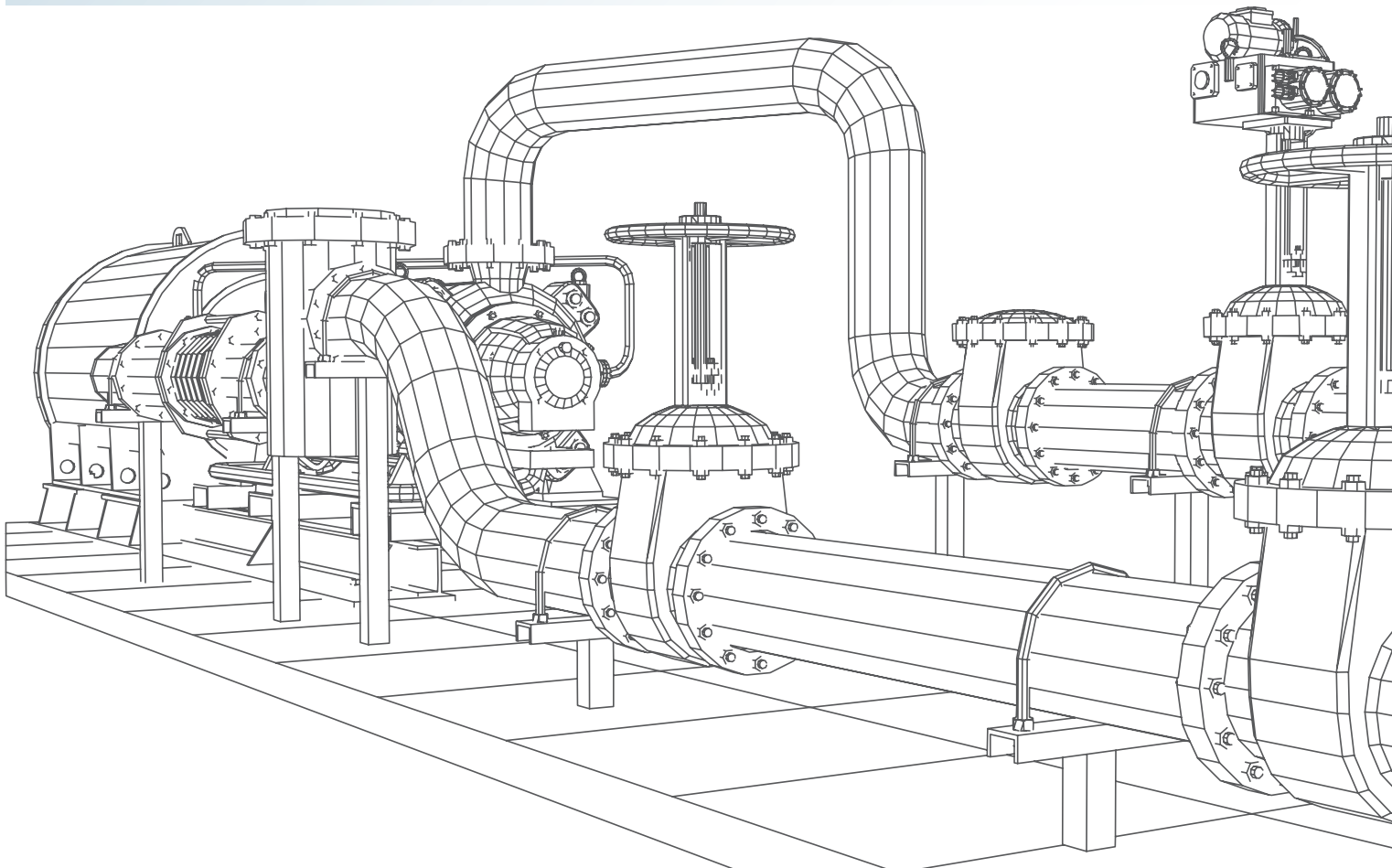


EXTRUDER MACHINE

Types: Single Screw Extruder, Twin or Multiple Screw Extruder, Ram Extruder



PROCESSING PACKAGE



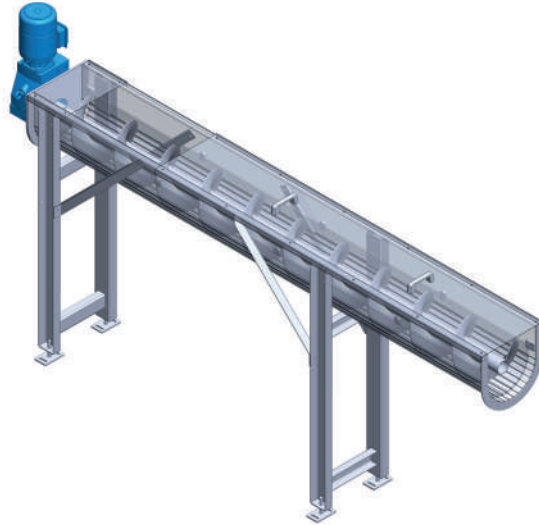


SCREW CONVEYORS & METERING FEEDERS

Types: Screw Conveyor/Feeder (Trough, Tubular, Single shaft, Double Shaft types), Gravimetric and Volumetric feeders, Micro Batch feeders, Loss in weight feeder,...

Material: Carbon Steel, Stainless Steel, Cast iron,...

Certification: ATEX (Gas/Dust) Compliance



ROTARY VALVE

Types: Flow through (Drop Through), Blow Through, Off set (Slide entry)

Material: Carbon Steel, Stainless Steel, Cast iron,...

Certification: ATEX Compliance

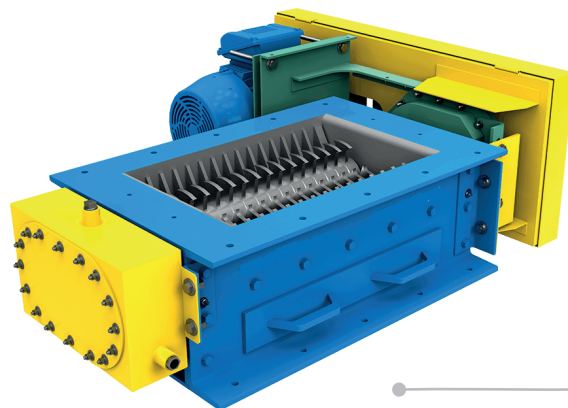


CRUSHER

Types: Roll crusher, Rotary crusher, Lump Breaker

Material: Carbon Steel, Stainless Steel, Cast iron, Cast alloy, Aluminum,...

Certification: ATEX (Gas/Dust) Compliance





PIPE, TUBE, FITTINGS

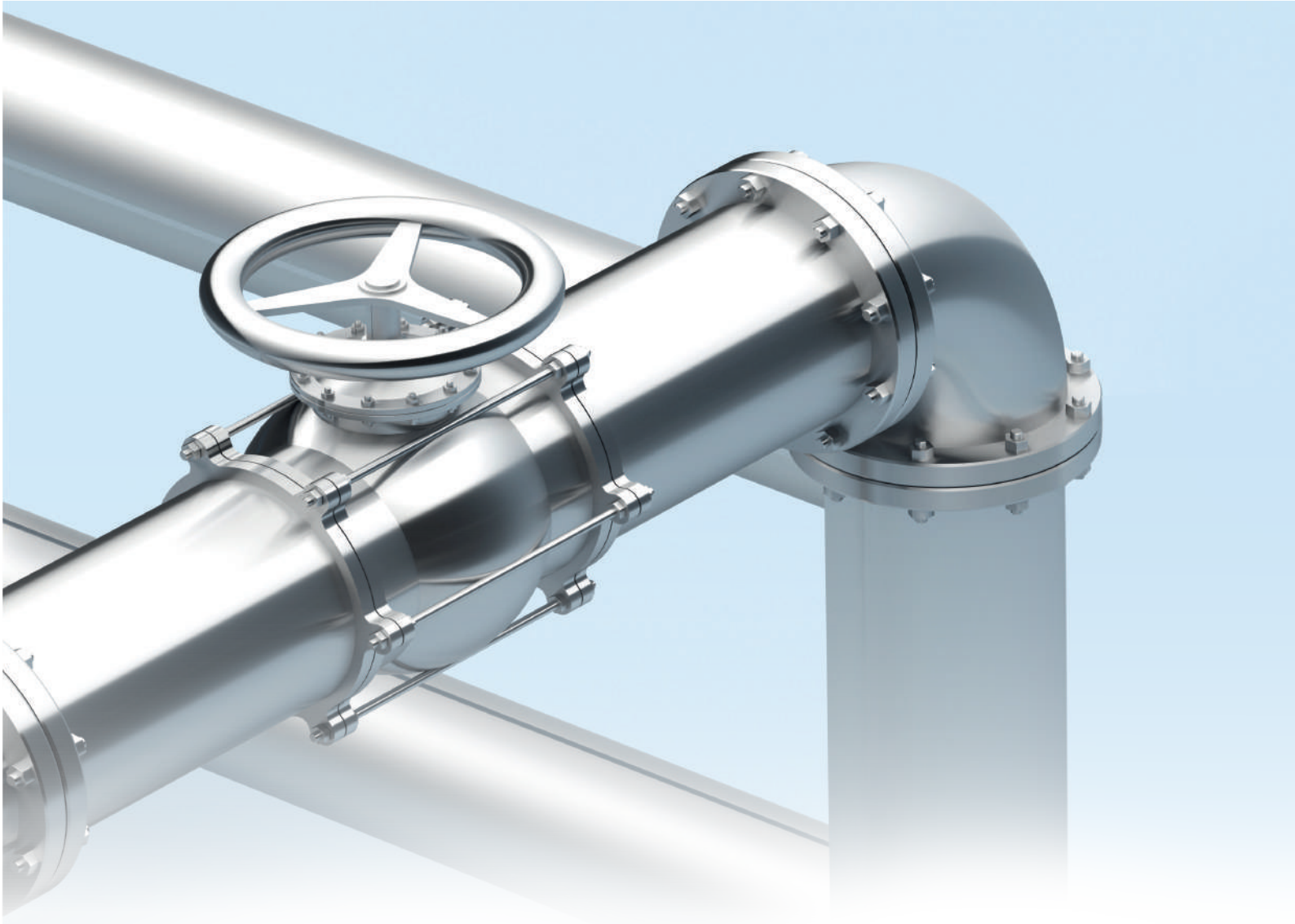
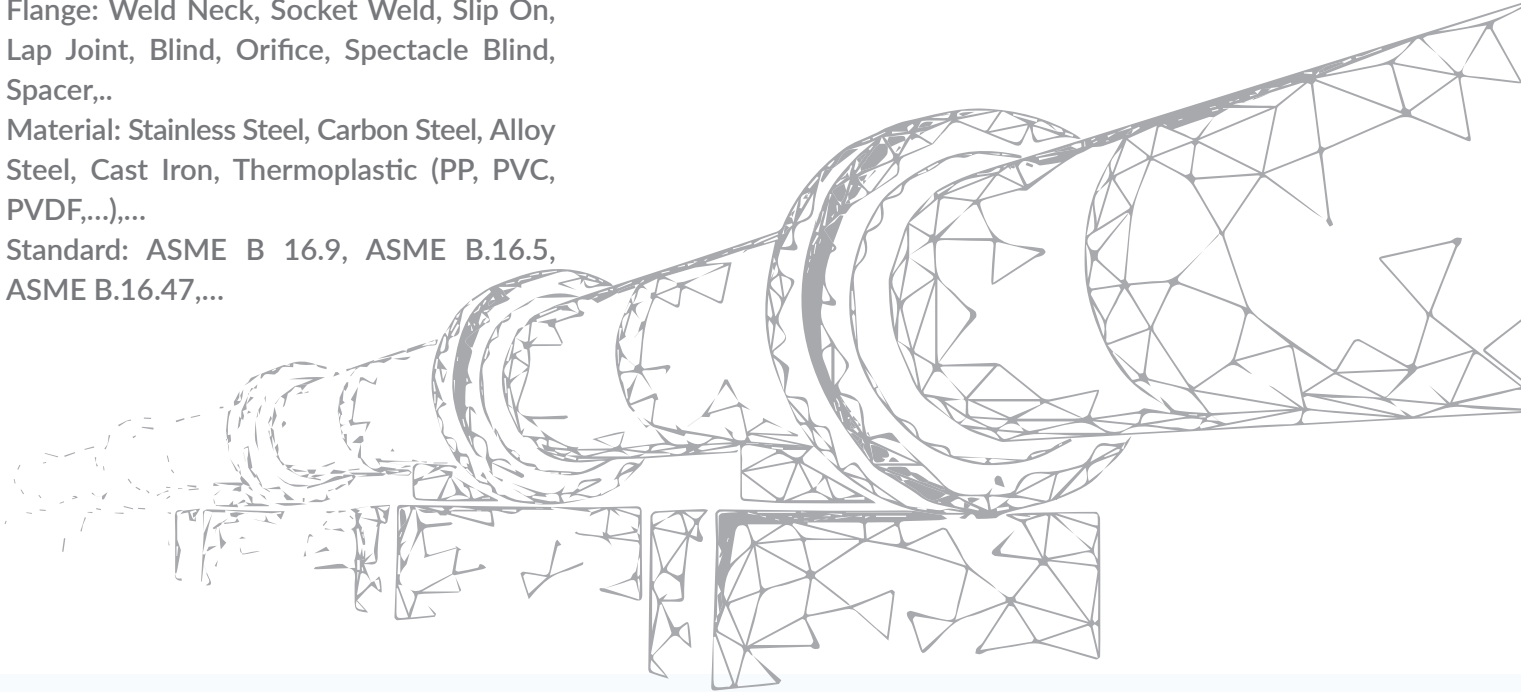
Pipe: Seamless, Spiral, ERW, SAW, Tube

Fitting: Elbow, Tee, Cross, Reducer, Coupling, Nipple,...

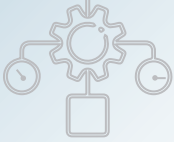
Flange: Weld Neck, Socket Weld, Slip On, Lap Joint, Blind, Orifice, Spectacle Blind, Spacer,..

Material: Stainless Steel, Carbon Steel, Alloy Steel, Cast Iron, Thermoplastic (PP, PVC, PVDF,...),...

Standard: ASME B 16.9, ASME B.16.5, ASME B.16.47,...



ARTA TECH

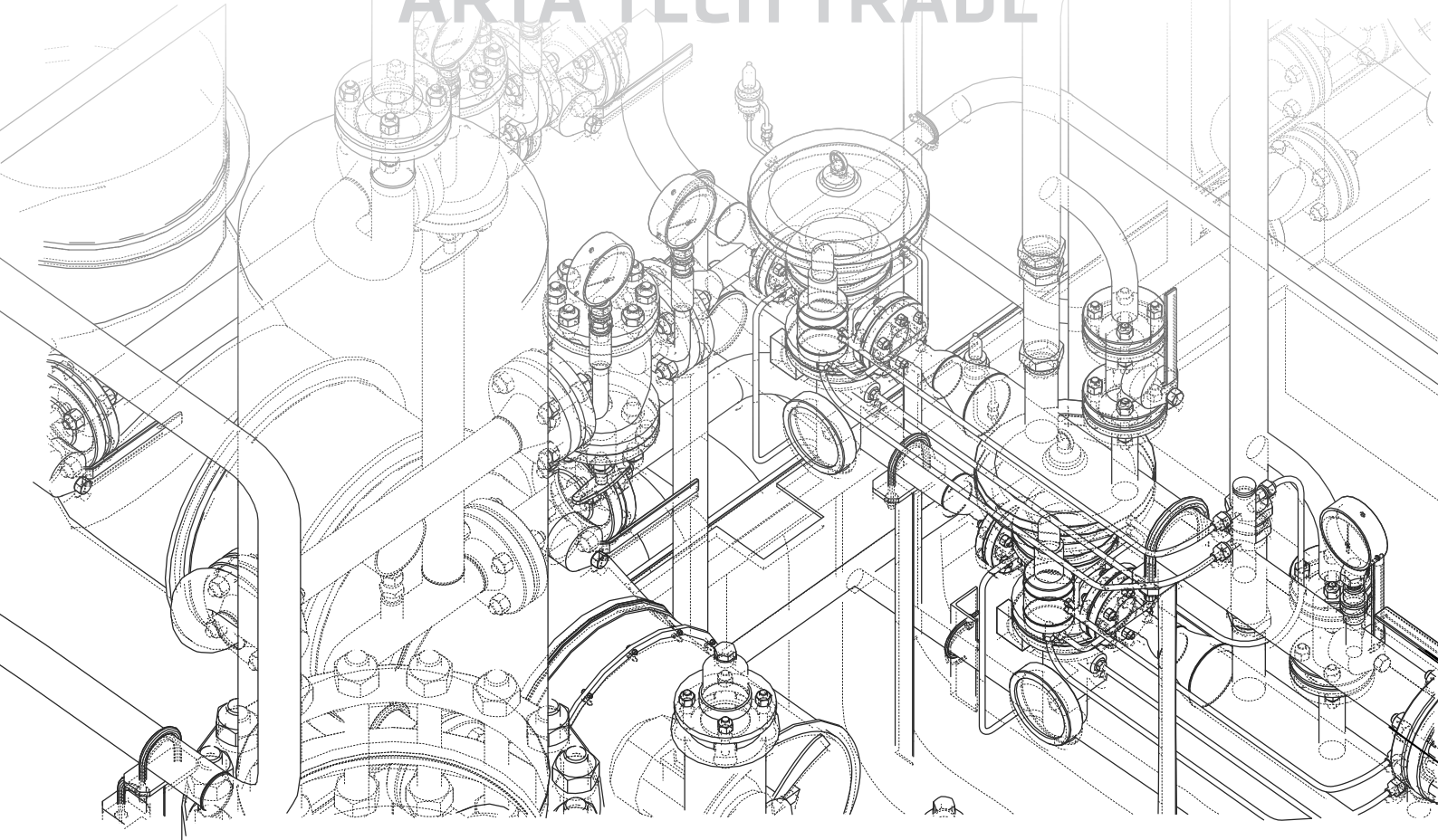


INSTRUMENT & CONTROL UNIT

We offer and supply comprehensive ranges of instruments, whether you need instruments for chemical industry, oil & gas, power industries, etc. Our line of instruments is extensive and include various measuring instruments for Flow, Pressure, Temperature, Level, and Force.



ARTA TECH TRADE

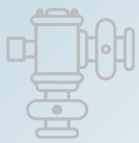
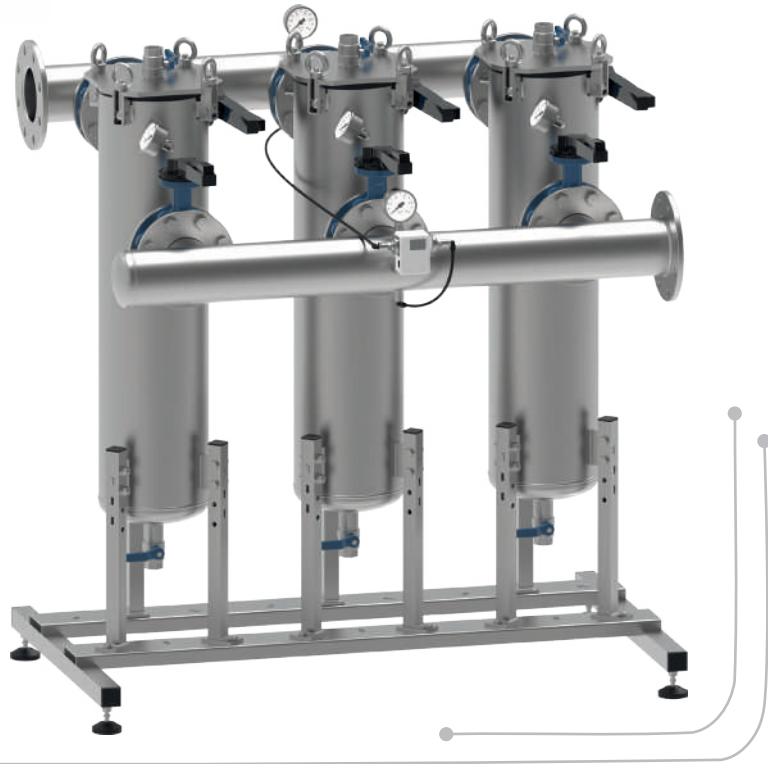




FILTRATION

Types: Strainer (Y, T & Basket Type), Duplex Filter, Separator Filter, Air Inlet Filter, Cartridge Filter,...

Material: Carbon steel, Stainless Steel, Cast iron, Alloy steel,...



TANK SAFETY EQUIPMENT

Types: Pressure Vacuum Breaker, Flame Arrestor, CO₂ & Moisture Absorbers,...

Absorption of hazardous and pollutant chemical vapors produced during the filling, decanting and draining of closed pressure-less storage tanks and containers
For all current chemicals, acids, lye, oils and solvents

For removal of CO₂ from air when storing demineralized water

For extracting humidity from gas atmospheres for materials which absorb humidity (H₂SO₄)

Protects against emission

Sterile filtration





SUPPLY CHAIN MANAGEMENT ARTA TECH TRADE



4th Floor, No.2, ARTA Building ,Khorramroudi Blvd.,
Pourjafari St., Marzdaran Blvd., 14 63 66 56 71, Tehran, Iran

 (+9821) 46 12 16 28 / 38

 www.arta.tech

 [artatechtrade](https://www.instagram.com/artatechtrade)



WE ARE SO GRATEFUL TO BE CHOSEN AS A RELIABLE COMPANY FOR LONG-TERM COOPERATION, BOTH FOR OUR PARTNERS AND CLIENTS. THIS IS OUR COMMITMENT TO SPEND OUR BEST EFFORT TO EXPAND THIS SATISFACTION CIRCUIT AS MUCH AS POSSIBLE.

PERAPLAS
PRAHER MIDDLE EAST FZE

Image: 17 July 2018

To Whom It May Concern:

This certificate is to acknowledge that company "Peraplas" by letter stands in the exclusive agent of Peraplas Praher Middle East FZE for the supply of products and services of Peraplas Praher Middle East FZE. The company is providing technical support, spare parts and maintenance services as well as standard warranty time for the entire PERAPLAS product range.

Company Name: Peraplas
Contact Person: Mr. Hassan Ghannem (Managing Director)
Tel: +971 4381 1386 / 1388
Fax: +971 4381 1382
E-mail: peraplas@peraplas.com
Address: JAFZA, Plot No. 18, Jebel Ali, Dubai, U.A.E.

Thank you for your cooperation.

Hassan Ghannem
Managing Director
Peraplas Middle East FZE

prescad

Image: 17 July 2018

To Whom It May Concern:

This certificate is to acknowledge that company "Prescad" by letter stands in the exclusive agent of Prescad Engineering LLC in the Middle East for providing technical support, spare parts and services as well as standard warranty time for the entire Prescad product range.

Company Name: Prescad
Contact Person: Mr. Hassan Ghannem (Managing Director)
Tel: +971 4381 1386 / 1388
Fax: +971 4381 1382
E-mail: prescad@prescad.com
Address: JAFZA, Plot No. 18, Jebel Ali, Dubai, U.A.E.

Centralite authorized representative

Image: 17 July 2018

To Whom It May Concern:

This certificate is to acknowledge that company "Centralite" by letter stands in the exclusive agent of Centralite Engineering LLC in the Middle East for providing technical support, spare parts and services as well as standard warranty time for the entire Centralite product range.

Company Name: Centralite
Contact Person: Mr. Hassan Ghannem (Managing Director)
Tel: +971 4381 1386 / 1388
Fax: +971 4381 1382
E-mail: centralite@centralite.com
Address: JAFZA, Plot No. 18, Jebel Ali, Dubai, U.A.E.

ABO valves

Image: 17 July 2018

To Whom It May Concern:

This certificate is to acknowledge that company "ABO valves" by letter stands in the exclusive agent of ABO valves in the Middle East for providing technical support, spare parts and services as well as standard warranty time for the entire ABO valves product range.

Company Name: ABO valves
Contact Person: Mr. Hassan Ghannem (Managing Director)
Tel: +971 4381 1386 / 1388
Fax: +971 4381 1382
E-mail: abovalves@abovalves.com
Address: JAFZA, Plot No. 18, Jebel Ali, Dubai, U.A.E.

BARCOCK VALVES

Image: 17 July 2018

To Whom It May Concern:

This certificate is to acknowledge that company "Barcock Valves" by letter stands in the exclusive agent of Barcock Valves in the Middle East for providing technical support, spare parts and services as well as standard warranty time for the entire Barcock Valves product range.

Company Name: Barcock Valves
Contact Person: Mr. Hassan Ghannem (Managing Director)
Tel: +971 4381 1386 / 1388
Fax: +971 4381 1382
E-mail: barcockvalves@barcockvalves.com
Address: JAFZA, Plot No. 18, Jebel Ali, Dubai, U.A.E.

Roll-Chim

Image: 17 July 2018

To Whom It May Concern:

This certificate is to acknowledge that company "Roll-Chim" by letter stands in the exclusive agent of Roll-Chim in the Middle East for providing technical support, spare parts and services as well as standard warranty time for the entire Roll-Chim product range.

Company Name: Roll-Chim
Contact Person: Mr. Hassan Ghannem (Managing Director)
Tel: +971 4381 1386 / 1388
Fax: +971 4381 1382
E-mail: rollchim@rollchim.com
Address: JAFZA, Plot No. 18, Jebel Ali, Dubai, U.A.E.

50 **TECHAP**

Image: 17 July 2018

To Whom It May Concern:

This certificate is to acknowledge that company "50 TECHAP" by letter stands in the exclusive agent of 50 TECHAP in the Middle East for providing technical support, spare parts and services as well as standard warranty time for the entire 50 TECHAP product range.

Company Name: 50 TECHAP
Contact Person: Mr. Hassan Ghannem (Managing Director)
Tel: +971 4381 1386 / 1388
Fax: +971 4381 1382
E-mail: 50techap@50techap.com
Address: JAFZA, Plot No. 18, Jebel Ali, Dubai, U.A.E.





ARTA TECH TRADE

www.arta.tech

Tel: (+9821) 46 12 16 28 / 38